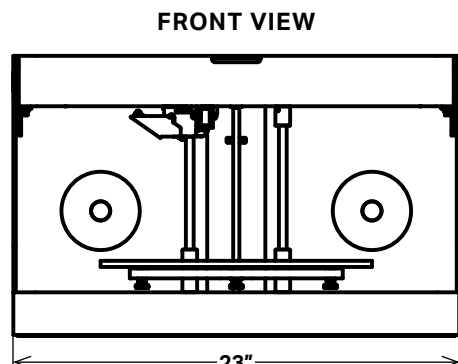
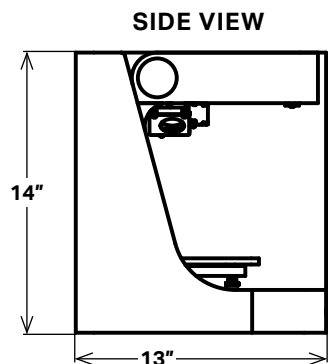


PRINTER SPECIFICATIONS

ONYX ONE

Built on the same platform as our award winning Industrial Series, the Onyx One is designed from the ground up for quality and reliability in a form factor that fits on your desktop. Onyx parts are twice as strong as conventional plastics, and if you need real strength, upgrade to continuous carbon fiber reinforcement for parts that are stronger than aluminum.

PRINTER PROPERTIES	Process	Fused Filament Fabrication
	Build Volume	320 x 132 x 154 mm (12.6 x 5.2 x 6 in)
	Weight	15 kg (34 lbs)
	Machine Footprint	584 x 330 x 355 mm (23 x 13 x 14 in)
	Print Bed	Flat to within 160 um - Kinematic coupling
	Onyx Pro Upgrade	Continuous Fiberglass
	Mark Two Upgrade	Continuous Carbon Fiber, HSHT, and Kevlar
	Power	100-240VAC, 150W (2A peak)
PART PROPERTIES	Layer Height	100um default, 200um maximum
	Material Properties	UTS: 36 MPa (1.2x ABS); Flex Stiffness: 2.9 GPa (1.4x ABS)
	Infill	Closed Cell Infill: Multiple geometries available
SOFTWARE	Supplied Software	Markforged Software - Cloud Storage, Local Storage, or Fully On-Premise (\$5,000 added fee)
	Security	Two Factor Auth, Org Admin Access, Single Sign On
MATERIALS	Plastics Available	Onyx
	Fibers Available	None
MACHINE COST	\$ 3,499 SRP	



All specifications approximate and subject to change without notice.